

Worksmen Eagle Lite Tricycle Owner's Manual

Worksmen Trading Corporation . 94-15 100th Street . Ozone Park, NY 11416 . (718) 322-2000

www.worksmancycles.com

Parts list EAG07

Models EAG-FW, EAG-2F, EAG-CB, EAG-3CB

Worksmen Eagle Lite Tricycle - The Finest Adult Tricycle in the World!



Congratulations! You have purchased an American-made Worksmen Eagle Lite Tricycle. Before assembling and riding, make certain to read this manual thoroughly. Always follow the rules of safe riding. Always keep your Eagle Lite tricycle in tip-top shape by replacing worn parts as needed with genuine Worksmen Cycles parts. (Do not use generic bicycle parts.) With simple maintenance, your Eagle Lite Tricycle will perform reliably day after day, year after year. Your Eagle Lite Tricycle has been hand-made in the USA by our American craftspeople. Our reputation rides along with you, so your ultimate satisfaction is our goal.

The Eagle is a light-duty tricycle. It has a recommended maximum capacity of 250 pounds, including the rider. If you are a heavier rider, or intend to use this cycle for heavy industrial use, we recommend our Worksmen Business Cycle System of industrial, heavy-duty tricycles.

FAILURE TO HAVE A QUALIFIED BICYCLE MECHANIC ASSEMBLE THIS CYCLE COULD RESULT IN SERIOUS INJURY OR DEATH.

Worksmen Eagle Lite Parts List (For all freewheel, coaster brake and three-speed coaster brake Eagle Lite Tricycles.)

Frame, Fork and Related Parts

<u>Part #</u>	<u>Description</u>	<u>Part #</u>	<u>Description</u>
3950	Eagle Lite Frame (specify color)	154	Fork (Silver)
3950A	Eagle Lite Rear w/ Axle (freewheel, Silver)	3950B	Eagle Lite Rear (coaster brake, Silver)
48	Headset Cups (pair)	49	Headset Bearings (pair)
50A	Headset Complete (48,49,52,53,54)	51	Bottom Cone (Presses on fork)
52	Top Adjusting Cone (threaded)	53	Key Washer
54	Fork Top Lock nut	55F	Handlebar - Junior High Rise
55A	Stem	55B	Handgrips (pair)
5031	Front Reflector Bracket	2002A	Caliper Brake Set (no cable or lever)
L752R	Brake Lever (Right) w/ Parking Lock	L752L	Brake Lever (Left) w/ Parking Lock
G219A	Brake Cable (caliper brake)	4905A	Bolt/Nut/Washer (rear frame to front)

Front Drum Brake Parts (For models with front drum brake wheels.)

<u>Part #</u>	<u>Description</u>	<u>Part #</u>	<u>Description</u>
G250	Drum Brake Hub	G219	Drum Brake Cable w/ G269 and G270
G815	Drum Brake Outside Axle Nut (each)	F818	Arm Band Assembly for Brake Arm
G269	Anchor Bolt Assembly for G219 Cable	G270	Adjusting Barrel for G219 Cable

Rear Axle and Related Parts

<u>Part #</u>	<u>Description</u>	<u>Part #</u>	<u>Description</u>
57	Rear Axle Elastic Locknut	174HD	Wheel / Axle Bearings (each)
176	Rear Axle (29 1/2+w/ drive plate)	69B	Fixed Drive Sprocket
4129A	Freewheel Sprocket (18 tooth)	62	Bushing for 4129A (freewheel models)
62B	Keyway for Rear Sprocket	62C	Set screw for 69B and 62
301	1 Speed Coaster Brake Hub	404N	3 Speed Coaster Brake Hub
SS13N-1	3 Speed Cable and Trigger for 404N	SS721	Coaster Brake Parts Kit (for 301)

Crank Parts (Pedal Section) and Chains

<u>Part #</u>	<u>Description</u>	<u>Part #</u>	<u>Description</u>
1265	Crank Parts (1266,1268,1269,1271,1272,1273,1274)	1265BMXS	Deluxe Sealed Crank Set (Upgrade)
1266	Crank Bearings (pair)	1267G	Complete Crank Set (36T,1265,3275,1380C)
1268	Cups for Crank Housing (pair)	1269	Stationary Washer (inside)
1271	Key Washer (outside)	1272	Adjusting Cone (threaded, outside)
1273	Stationary Cone (inside)	1274	Crank Locknut
3275	Crank (one piece, forged - 5.5+)	1380C	Sprocket 36 Tooth (1/8+)
7217	Pedal Set (pair)	4910	Chainguard
4914M	Chain Connecting Link (1/2x1/8+)	4914R	Chain Half Link (1/8+)
4914Y	Chain (freewheel models 1/8x121 links)	4914W	Chain (coaster brake 1/8x103 links)
4914G	Chain (coaster brake 1/8x41 links)	4915	Chain Adjusters (for coaster brake)
4916	Chain Idler Sprocket		

Seats, Seatpost, Baskets, and Fenders

<u>Part #</u>	<u>Description</u>	<u>Part #</u>	<u>Description</u>
6910V	Saddle (wide w/o springs - standard)	6911V	Saddle (wide w/ springs)
4908D	Seatpost (15- x 1- x 7/8- +)	7913	Seatpost Clamp (seatpost to seat)
4909	Bolt, Nut, Washer for 4911C	4911D	Seatpost Clamp (seatpost to frame)
5927BB	Basket Strap (rear)	5927W	Rear Wire Basket (21- x 15- x 9- +)
133WH	Removable Front Basket (14.5- x 9.5- x 9- +)	7228	Front Wire Basket (21- x 15- x 9- +)
139	Front Wire Basket (18- x 13- x 6- +)	4803	Front Fender
4805	Front Fender U-Brace	95	Front 1/2 +Bracket (fender to fork)
4803K	Front Fender Hardware Kit (95, 4907, 4907A)	4907	Bolts, Nut, Washer (U-brace to fender)
4907A	Bolt, Nut, Washer (1/2 +bracket to fork)	4810	Rear Fender
4812	Rear Fender Brace / Clamp (one side)	4905	Bolt, Nut, Washer (rear fender to brace)
FS24	Complete Rear Fender Kit (24- +)		

Wheels, Tires, and Tubes

<u>Part #</u>	<u>Description</u>	<u>Part #</u>	<u>Description</u>
M24F	24+Front Wheel w/o Drum Brake	M24	24+Rim (rim only . no spokes or hub)
466	24+Front Wheel w/ Drum Brake w/ WW Air Tire	466A	24+Front Wheel w/ Drum Brake
M24F-FF	24+Front Wheel w/o Drum Brake w/ Poly Tire	469	24+Free Side Wheel w/ WW Air Tire
469A	24+Free Side Wheel	469A-FF	24+Free Side Wheel w/ Poly Tire
469D	24+Drive Wheel w/ WW Air Tire	469DA	24+Drive Wheel
469DA-FF	24+Drive Wheel w/ Poly Tire	49822C	24+Poly-Solid Tire (tire only)
6032W	24- x 1.75+White Wall Tire	6032	24- x 1.75+Black Wall Tire
6032A	24- x 1.75+Tube	6023E	24- x 1.75+Puncture Resistant Tube
1017B	24+Rim Strip	1018	Valve Cap
1014J	Spokes / Nipples (8 5/8- + for 466)	1014K	Spokes / Nipples (9 5/8- + for 469)
122N	Front Axle Nut (non-drum brake wheel)	160C	Retention Clip (front axle to fork)

Tools, Safety and Comfort Accessories

<u>Part #</u>	<u>Description</u>	<u>Part #</u>	<u>Description</u>
3979	Ding Dong Chime Bell	303	Squeeze Bulb Horn
3973	Mega-Horn (battery operated)	201	Cable and Lock set
3975	Generator Light Set	3961	Cup Holder
4963	Rear View Mirror	5030T	Reflector Set w/ Mounting Hardware
3978	Safety Flag on Pole	P19	Bicycle Helmet
101710	Flashing Strobe Light (clear lens)	101714	Flashing Strobe Light (red lens)
7217-41197	Pedals w/ Velcro Foot Straps (pair)	7217-41038	Weighted Pedals w/ Rubber Straps (pr)
1006	Air Foot Pump	1000	Spoke Wrench
2000	Chain Rivet Remover Tool	1265TW	Crank Cone Wrench
1001	Pedal Wrench	7917A	Backrest w/ Mounting Hardware
6001A	Patch Kit (Includes 5 patches, glue, etc.)	3976	Battery Operated Headlight

Part #s and specifications subject to change without notice as we are constantly seeking ways to improve our products.

ASSEMBLY INSTRUCTIONS FOR THE WORKSMAN EAGLE LITE™ TRICYCLE (rev. July 2014):

Please read this manual carefully prior to performing the finishing assembly and prior to riding. **We strongly recommend that a qualified bicycle mechanic assemble this cycle.** Carefully remove the tricycle components from the carton, and follow the instructions in the order presented. Keep in mind that the "left" or "right" side of the cycle is when viewed from the rear.

TOOLS REQUIRED FOR ASSEMBLY

Socket Set	Flat-head Screwdriver	Phillips-head Screwdriver
Allen Wrench Set	Adjustable Wrench	Pliers
Air Pump	Bicycle Grease	Sand Paper or Emery Cloth

PACKAGING

This tricycle comes packaged in two cartons. Check to make sure the following parts are included in each carton:

- Carton A
- Front frame with pre-assembled seatpost binder bolt, chainguard, sprocket, and cranks.
 - Front fork with pre-assembled wheel, tire, fender, caliper or drum brake with cable and lever, and headset.
 - Rear wheels with tires (Free wheel has two bearings. Drive wheel has one bearing.)

- Carton B
- Rear basket
 - Seatpost and seat
 - Grips
 - Handlebar
 - Stem
 - Pedals
 - Rear frame assembly (Frame, axle, axle nuts, and fixed drive or freewheel sprocket)
 - Coaster brake kit (Single- or three-speed, if ordered as coaster brake model)
 - Hardware

Rear Frame Assembly to Front Frame

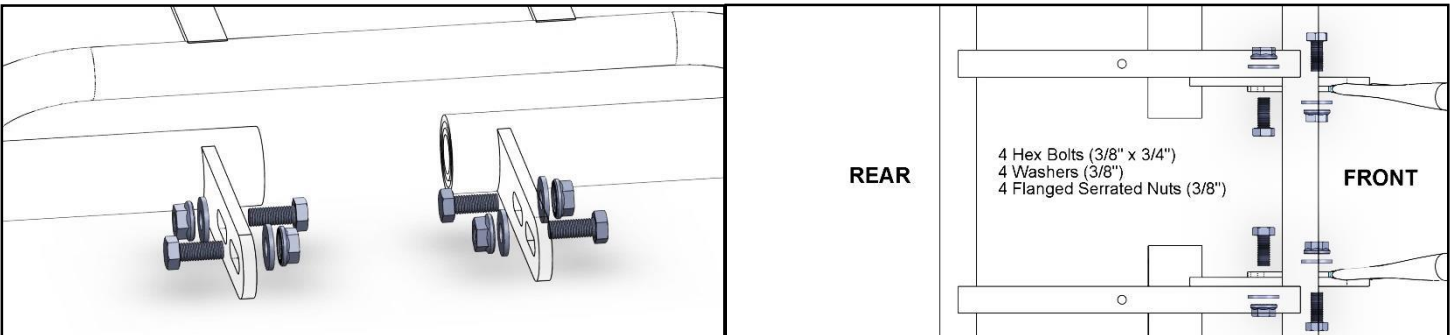
- a) 4 Hex bolts (3/8"x 3/4")
- b) 4 Flanged serrated nuts (3/8")
- c) 4 Washers (3/8")

Chain Parts

- a) Long chain (121 links . freewheel OR 103 links . coaster brake)
- b) Short chain (41 links . coaster brake models only)
- c) Chain connecting links (1 for freewheel models or 2 for coaster brake models)

1) FRAME ASSEMBLY (See illustrations)

1. Remove the four 3/8" bolt/nut/washer combinations pre-mounted on the rear frame.
2. Loosely attach the rear frame to the main frame as shown with the bolt/nut/washer combinations. The basket mounting straps should face up. Note the bolt directions.

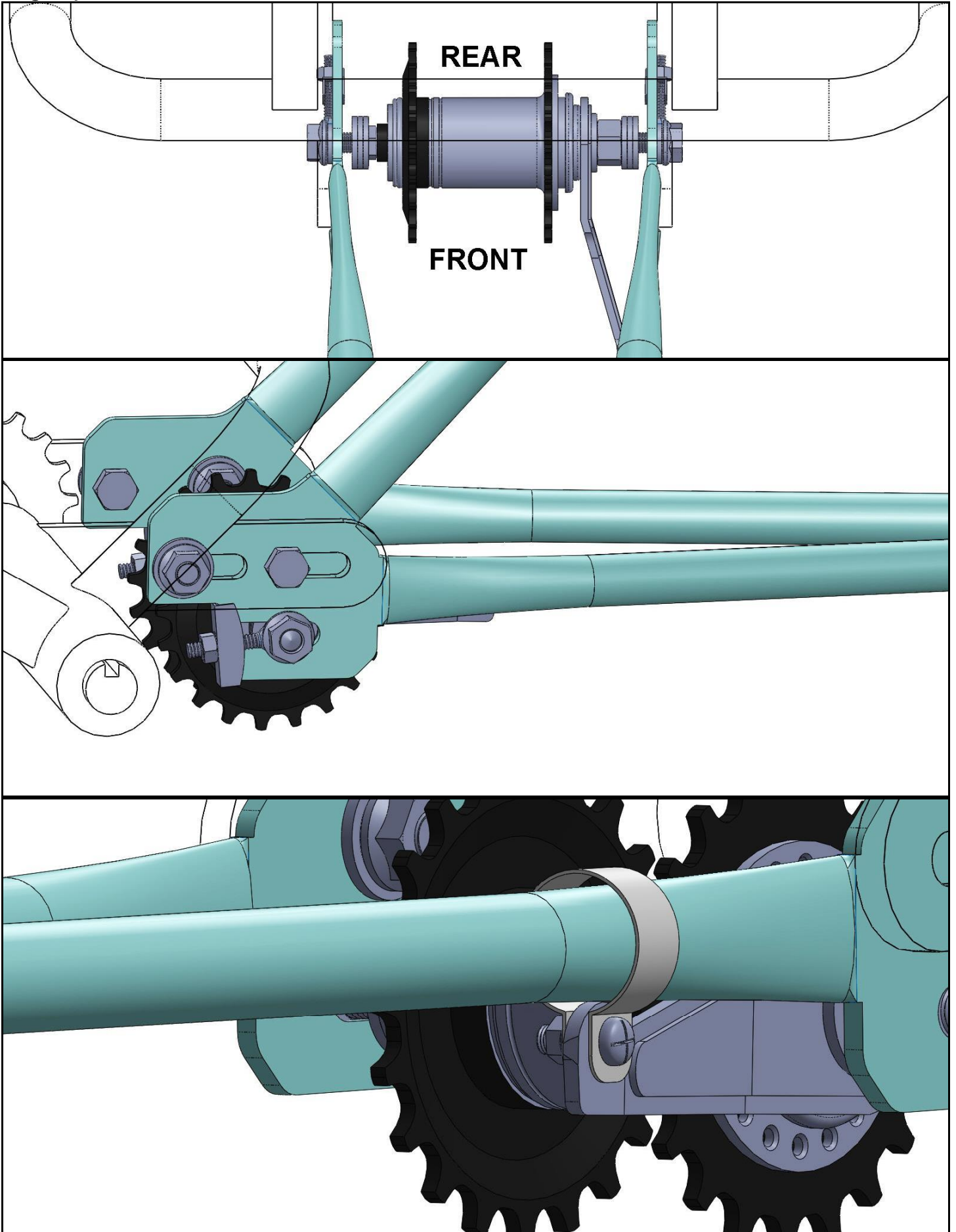


2) TRANSMISSION ASSEMBLY (See illustrations)

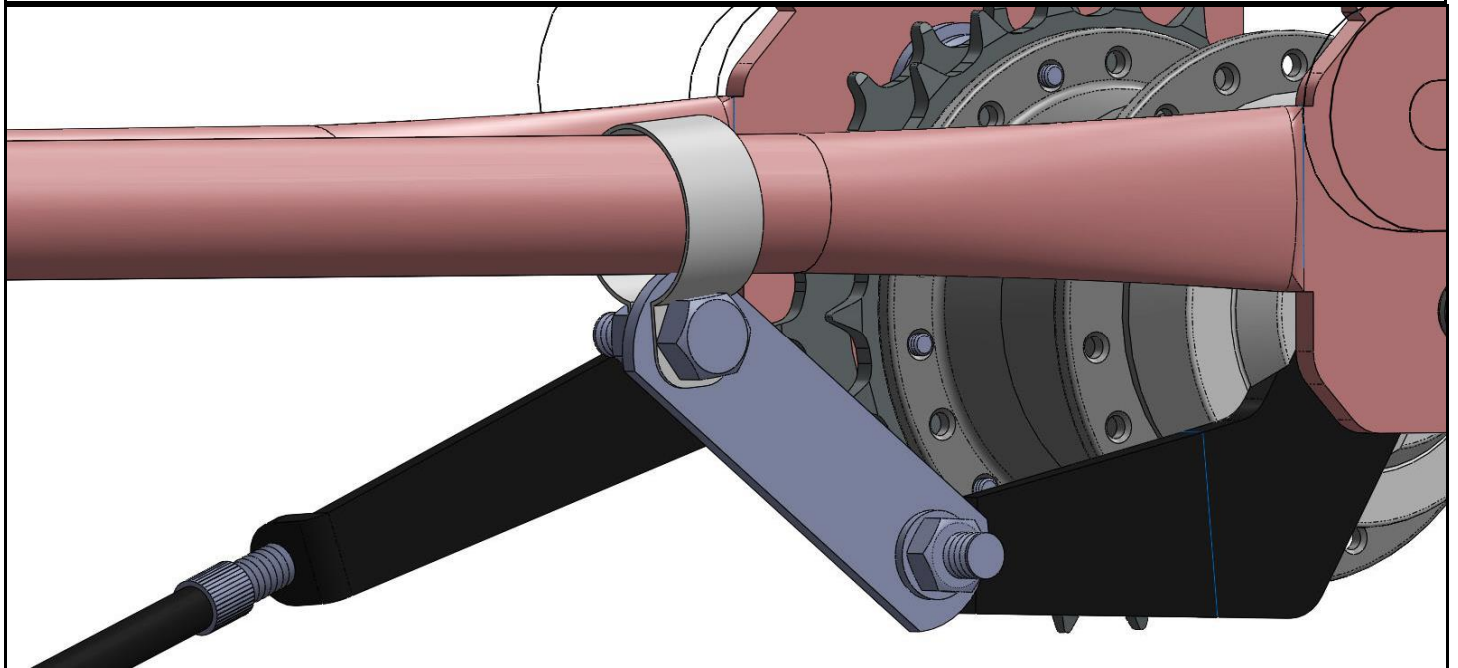
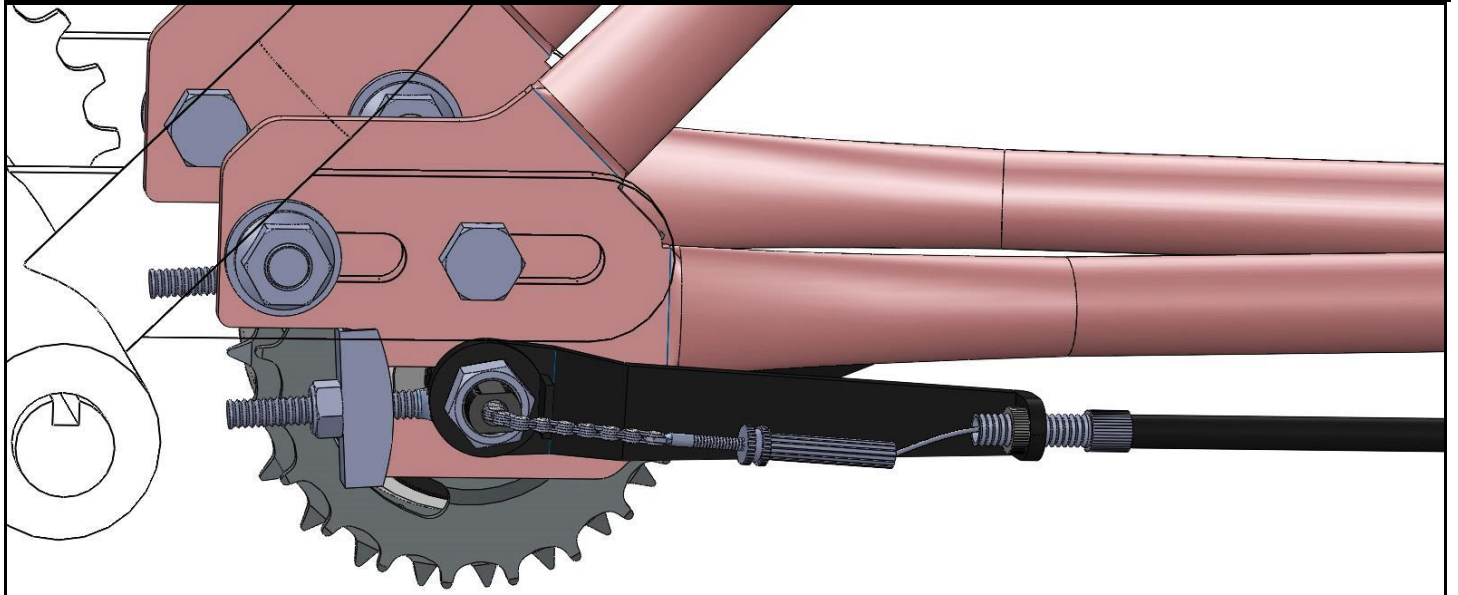
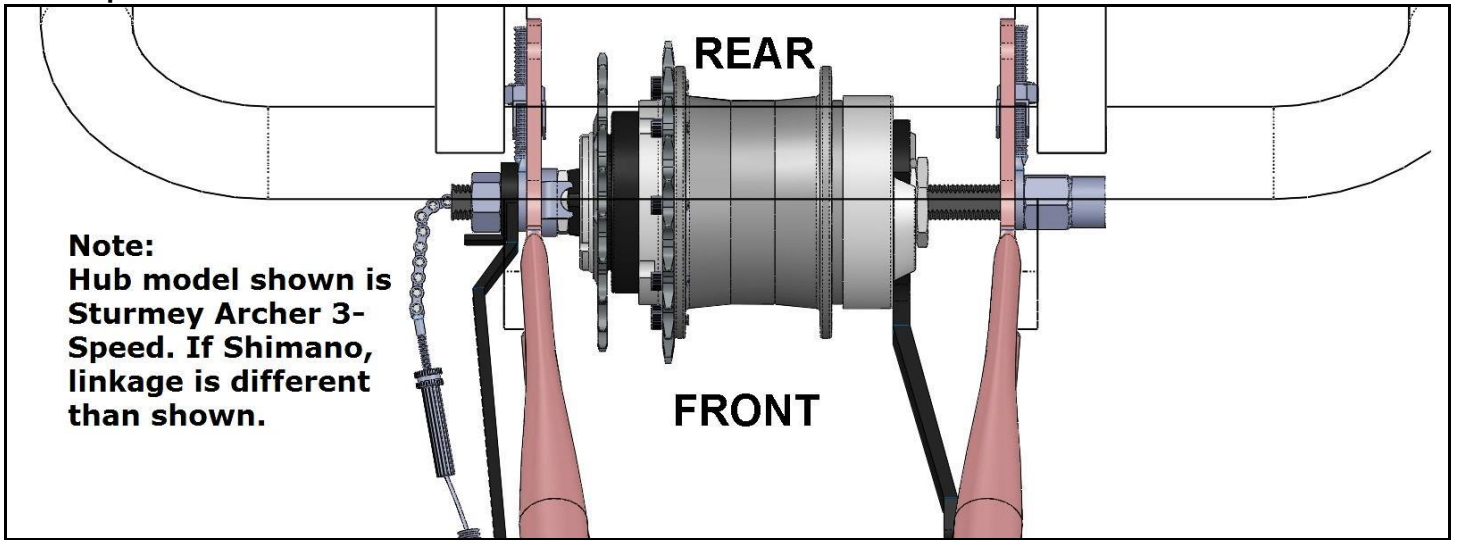
For freewheel models, connect chain (121 links) with the supplied connecting link from the front sprocket to the freewheel sprocket and proceed to step 6b. *Freewheel models do not have foot brakes and we strongly recommend upgrading to coaster brake models.*

1. Slide coaster brake hub onto frame with brake on facing forward to the left side. Align the front sprocket with the right-side coaster brake sprocket. For single-speed models, there should be three washers on each side of the hub, between the slotted bracket fork ends.
2. Install chain tensioners on each side of the coaster brake hub axle and place tensioner clips on the tensioners, around the dropout lips. Install one nut on each tensioner.
3. Connect long chain (103 links) with the supplied connecting link from the front sprocket to the right-side coaster brake sprocket.
4. Tighten the chain by tightening the nuts on each tensioner. It should have between 1/4" and 3/8" of slack in the top/center. **DO NOT OVERTIGHTEN.**
5. Attach brake arm to frame by bending it around the frame and fixing the nut/bolt. Then, tighten the exterior nuts.

Single Speed Coaster Brake Model

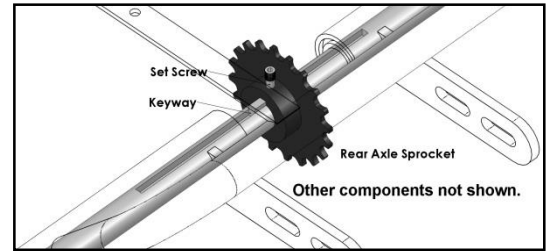


Three Speed Coaster Brake Model



We recommend that only qualified bicycle mechanics disassemble the hubs for maintenance.

6.
 - a. Connect short chain (41 links) with the supplied connecting link from the left-side coaster brake sprocket to the rear axle sprocket.
 - b. Pull back slightly on the rear frame to tighten the chain. **DO NOT OVERTIGHTEN.** Tighten the four bolt/nut/washer combinations from the **frame assembly**.
7. On coaster brake models, align the left-side coaster brake sprocket with the rear axle sprocket.
8. Slide axle through the rear frame and rear axle sprocket. Insert the keyway into the sprocket along the axle slot. Install the set screw to lock the sprocket onto the rear axle.

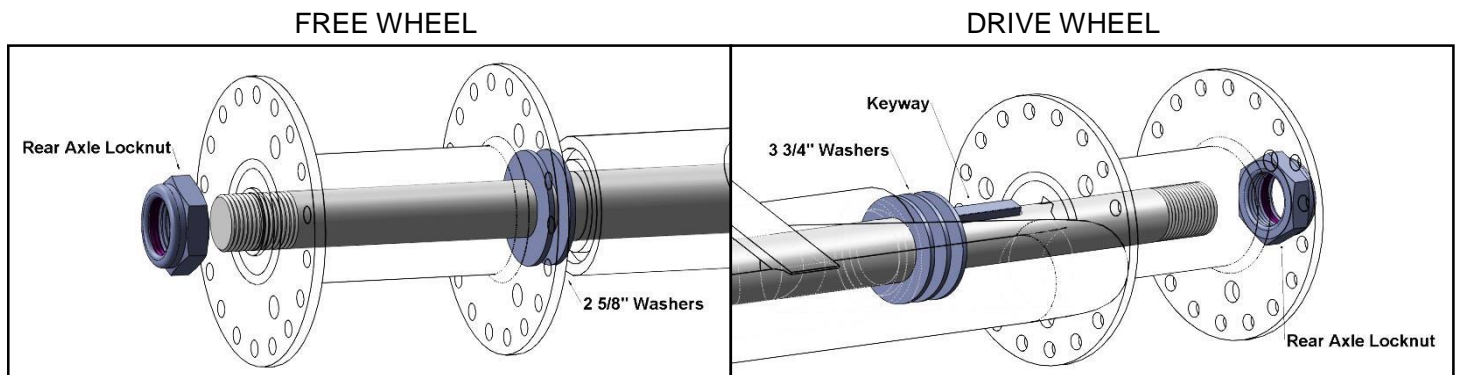


For three speed coaster brake models, refer to the *Shimano* or *Sturmey Archer* booklet provided for detailed assembly instructions. Zip-tie shifter housing cables to underside of frame tubing leading up toward the handlebars. Cut excess plastic and aim cut sections away from the frame.

Note: If you have a freewheel model, we recommend that you upgrade to a single- or three-speed coaster brake model. To order, call the Workman Cycles Customer Service Center at (718) 322-2000.

3) REAR WHEEL ASSEMBLY (See illustrations)

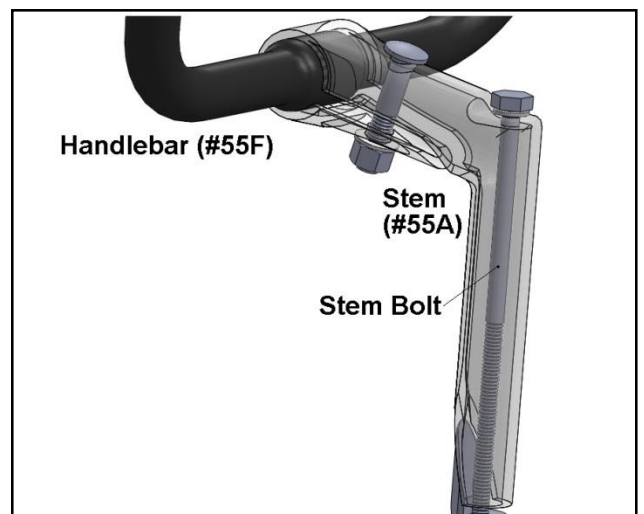
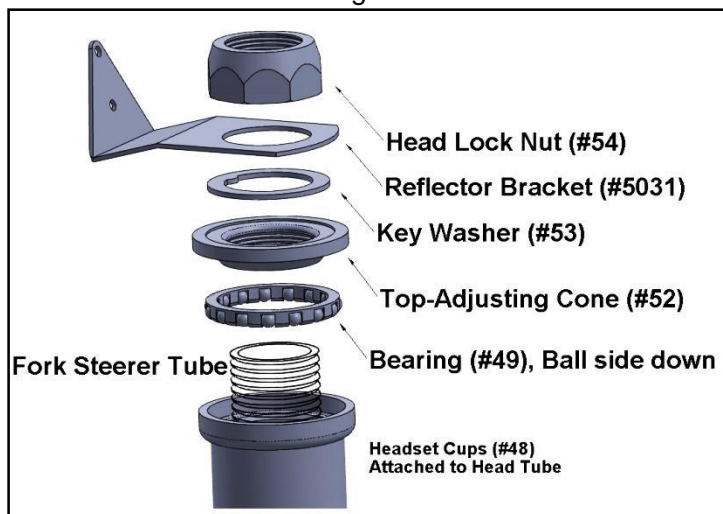
The right-side drive wheel has one bearing and a keyed slot. The left side free wheel has two bearings. Install as shown. Note that the wheels are assembled but spokes have been omitted for clarity.



4) FRONT ASSEMBLY (See illustrations)

Bearing cups have been pressed into the headtube at the factory.

1. Grease bearing cups (#48) with *Rustolene 200* or equivalent lubricant. Bearings are pre-greased.
2. Place one bearing (#49) onto the fork steerer tube, balls facing up.
3. Slide the steerer tube through the headtube from the bottom.

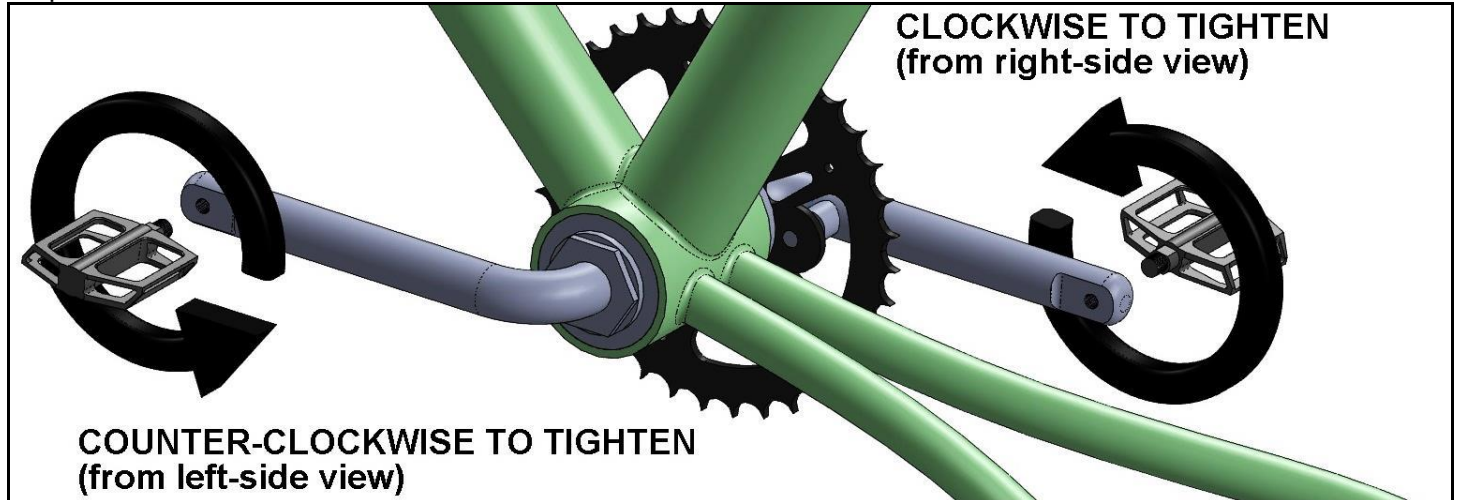


4. Place the other bearing (#49) onto the steerer tube, balls facing down.
5. Install the top-adjusting cone (#52) onto the steerer tube. Hand-tighten until just before the bearings bind, then turn back a quarter-turn.
6. Slide the key washer (#53) onto the steerer tube, then the reflector bracket (#5031).
7. Install the head lock nut (#54) and securely tighten, again making sure the bearings do not bind. The fork should rotate freely without excess play.

8. Install the handlebar stem (**#55A**) into the steerer tube, with the handlebar clamp facing forward. It must be inserted beyond the minimum insertion line. Loosen the handlebar clamp nut. Insert and center the handlebar into the clamp.
9. Rotate the handlebar within the clamp to the desired angle, then tighten the clamp. Pivot the handlebar about the steerer fork until it is perpendicular to the front wheel, then tighten the stem bolt. Recommended torques are 300 in.lbs. and 240 in.lbs., respectively.
10. Attach brake hand lever (and shift lever for three-speed models) onto the handlebar. Cables should not be tangled. Slide handlebar grips completely onto the handbar until tight. Do not use lubricants.

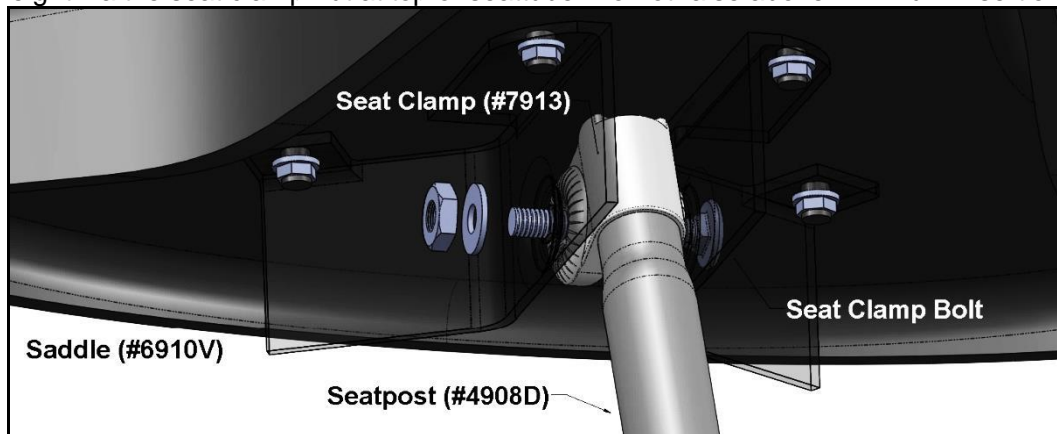
5) PEDAL ASSEMBLY (See illustrations)

Pedals are marked on the shaft with either an **L** or **R** denoting left or right. The **R** pedal fits on the right (sprocket) side of the crank arm. Tighten **clockwise**. The **L** pedal fits on the left side of the crank arm and is reverse-threaded. Tighten **counter-clockwise**. Tightening in the wrong direction will strip the threads. Recommended torque is 275 in.lbs.



6) SEAT ASSEMBLY (See illustrations)

1. Insert seatpost (**#4908D**) completely into seat clamp (**#7913**) at bottom of seat. Tighten seat clamp bolt slightly.
2. Insert seatpost into frame. Tighten seat binder bolt. Recommended torque is 240 in. lbs.
3. Adjust seat angle; nose should point slightly upward. Tighten seat clamp bolt. Recommended torque is 240 in. lbs.
4. Adjust seat height via the seat clamp nut at top of seattube. Do not raise above minimum insertion line.



7) REAR FENDERS

Attach fender braces to axle housing using provided nuts, U-bolts, and washers. Bend braces if they are rubbing the tire.

8) REAR BASKET

1. Place basket on top of rear frame section.
2. Place retention strap in basket and align holes in strap with holes in frame.
3. Insert bolt and washer through the top. Install a nut and washer through the bottom. Tighten snugly but do not overtighten.

MAINTENANCE TIPS:

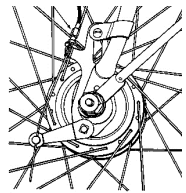
Always inspect your Worksmen Cycle to ensure that all nuts, bolts, screws and hardware are tight and that no parts are worn or damaged. Do not attempt to straighten bent forks or frames.

Chain:

Lubricate chain once a month or as needed with light oil. Replace sprockets when teeth become worn, bent or broken. Keep chain adjusted so there is no more than 3/8" slack. Note that we make the chains tight at the factory, as we do know they will stretch during the break-in period.



Lubricate crank parts every six months. Replace pedals when the surface is worn or if axle becomes tight or frozen.



Drum Brake:

Some Worksmen Eagle tricycles may be equipped with a front drum brake. It is engaged by squeezing the hand lever on the handlebar. To use Park+feature, when cycle is completely stopped, squeeze hand lever and push in parking plunger button on lever. To disengage, simply squeeze lever until parking plunger button releases. Drum brakes are pre-adjusted at the factory. Readjust the cable tension as necessary using the adjusting barrel so that wheel spins freely and stops when brake is applied. Always replace worn brake cables and damaged hand levers.

Coaster Brake (if applicable):

Coaster brakes hubs require little maintenance, but it is important to be aware of their condition to assure that they are braking and accelerating properly. To activate this internal brake, reverse the pedaling motion until the brake engages. To avoid skidding and maintain control, apply care when braking. This is especially true on wet surfaces. Apply brakes gently, gradually increasing pressure. If you feel signs of slipping on acceleration, you should have your hub serviced or replaced. When coaster brake hubs are new, it is common for them to squeal or sometimes make a vibrating, popping noise when braking because the brake pads are new. This sound will disappear with use. Replace coaster brakes when they become worn. Check chain tension regularly. For three speed units, pause pedaling when shifting to help mesh gears. (Let the cycle coast.) This will make shifts smoother and will reduce wear and tear on the hub.

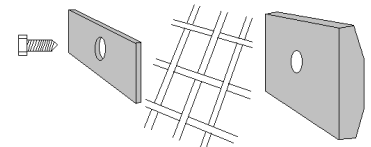
Three-speed hubs have a low gear (Position 1), normal (or medium) gear (Position # 2), and a high gear (Position 3). The desired gear is selected by moving the lever(s) to these positions. When shifting, always stop pedaling or at least relax chain pressure and move the shift lever to your next gear. It is recommended that you start in low gear and move up through the gears as you increase speed.

Tires:

Always check for worn or damaged tires. We recommend 40PSI as proper level of inflation unless tires specify otherwise. Replace tires that are worn or cut immediately. Replace or repair tubes that show leaks. Make sure valve is sticking straight up from the rim and that tire is seated completely in the rim. Check air pressure with a good tire pressure gauge. When first inflating the tires, do so gradually, adding small amounts of air so as not to burst the tube or pop the tire off of the rim.

Reflectors:

See reflector kit for installation instructions. You should have 3 curved white reflectors for the wheels, one white square reflector for the front, and one square red reflector for the rear. The rear reflector goes on the outside of the basket, and is held in place by attaching to the black rectangular bracket (with the small hole in the center) on the inside of the basket.



Axle Bearings:

Be sure to lubricate rear axle bearings and rear wheel bearings every six months. Use a bearing lubricant, which is available at any hardware or auto parts store. Failure to lubricate axle bearings can cause bearing to seize and cut through the axle. If you hear a grinding or hissing sound, lubricate bearings immediately or replace if damaged!



For those seeking Commercial Grade Tricycles,

We offer a complete line. Visit www.worksmancycles.com

Worksmen Mover M2626-CB

LIMITED WARRANTY:

THIS CYCLE IS WARRANTIED AGAINST FAULTY PARTS UNDER THE FOLLOWING CONDITIONS: THIS WARRANTY DOES NOT COVER ANY FAILURE DUE TO ACCIDENT, ABUSE, MISUSE, NEGLIGENCE OR AS THE RESULT OF NORMAL WEAR AND TEAR, OR IMPROPER ASSEMBLY. THE ENTIRE FRAME, INCLUDING ALL WELDED JOINTS, IS WARRANTIED TO BE FREE FROM DEFECTS AND MATERIAL FOR ONE YEAR WHILE IN POSSESSION OF THE ORIGINAL PURCHASER. ALL OTHER PARTS ON THIS CYCLE, EXCEPT TIRES AND TUBES, ARE WARRANTIED FOR NINETY DAYS FROM THE DATE OF PURCHASE. REPAIR AND REPLACEMENT OF THESE PARTS IS TO BE ACCORDING THE WORKSMAN CYCLES PARTS AND SERVICE PROCEDURES AND MUST BE HANDLED DIRECTLY THROUGH THE SOURCE WHERE THE CYCLE WAS PURCHASED. IF UPON EXAMINATION OF THE PARTS IN QUESTION, THE WORKSMAN CYCLE DEALER DETERMINES THAT IT IS DEFECTIVE, EITHER REPAIR OR REPLACEMENT WILL BE MADE AT NO COST EXCEPT THE COST OF TRANSPORTATION AND LABOR CHARGES (IF ANY). UNAUTHORIZED REPAIRS OR REPLACEMENT AUTOMATICALLY VOIDS WARRANTY. PROPER MAINTENANCE IS REQUIRED FOR WARRANTY TO BE VALID. IN THE EVENT THAT IT WAS DETERMINED THAT THE WARRANTY CLAIM IS THE RESULT OF MISUSE, ABUSE, IMPROPER MAINTENANCE OR SIMPLY NOT DEFECTIVE OR BEYOND THE WARRANTY PERIOD, WORKSMAN CYCLES OR THE DEALER WILL ADVISE YOU AS TO THE COST OF REPAIR, REPLACEMENT OR LABOR PRIOR TO PERFORMING ANY WORK OR REPLACING ANY PARTS. IF YOU CHOOSE NOT TO HAVE THE DEALER OR WORKSMAN CYCLES PERFORM THE WORK, THE PARTS WILL BE RETURNED TO YOU AT YOUR EXPENSE OR DISCARDED IF NO REPLY IS RECEIVED WITHIN 2 WEEKS OF NOTIFICATION. THE SOLE RESPONSIBILITY OF THE MANUFACTURER TO THE TERMS OF THIS WARRANTY, IF ANY, SHALL BE THE REPAIR AND/OR REPLACEMENT OF THE PARTS AS INDICATED ABOVE. THE LIABILITY OF THE MANUFACTURER SHALL IN NO EVENT EXCEED THE ORIGINAL PURCHASE PRICE OF THE PRODUCT, AND THE MANUFACTURER SHALL NOT BE RESPONSIBLE FOR ANY CONSEQUENTIAL DAMAGES OF ANY NATURE, INCLUDING, BUT NOT BY WAY OF LIMITATION, DAMAGES FOR PERSONAL INJURY OR PROPERTY. THIS STATEMENT CONSTITUTES THE EXCLUSIVE EXPRESSION OF WARRANTIES BY THE MANUFACTURER AND IS IN LIEU OF ANY OR ALL OTHER WARRANTIES SUCH AS EXPRESSED WARRANTIES, IMPLIED WARRANTIES, INCLUDING BUT NOT LIMITED TO WARRANTIES OF MERCHANTABILITY, AND FITNESS OR PURPOSE, ARE LIMITED IN DURATION FOR ONE YEAR FROM THE DATE OF PURCHASE OF THE FRAME ONLY AND 90 DAYS FOR ALL OTHER PARTS, EXCEPT TIRES AND TUBES WHICH ARE NOT WARRANTIED. WORKSMAN TRADING CORPORATION IS THE MANUFACTURER. MISUSE OF THE CYCLES INCLUDING OFF ROAD RIDING, INSTALLATION OF MOTORS OR POWER ASSISTS, ALTERATIONS, REPAIRS USING PARTS OTHER THAN GENUINE WORKSMAN CYCLE PARTS VOIDS WARRANTY. WORKSMAN TRADING CORPORATION IS NOT RESPONSIBLE FOR MAINTAINING RECORDS OF SERIAL NUMBERS. VOID WHERE PROHIBITED BY STATE LAW.

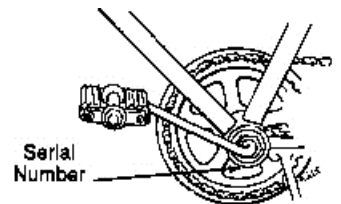
RULES FOR SAFE RIDING AND RESPONSIBLE OPERATION: Carefully read this manual before operating the cycle.

- It is the responsibility of the person who completes the assembly to properly install all parts included and to inspect the cycle prior to riding to insure proper operation.
- Operator is responsible for required maintenance to keep the cycle in good operation condition.
- Observe all traffic regulations in the operating environment. (Stop signs, etc.)
- Keep to the right and in a straight line. Tricycles tend to pull toward the non-driven wheel side. This is normal. Ride in single file.
- Do not ride outdoors at night, and have appropriate signaling device as needed. (We recommend the 3973 Mega Horn.)
- Give pedestrians the Right of Way.
- Always look around you to understand the riding environment and hazards.
- Do not carry passengers, and check brakes prior to riding.
- Slow down when approaching turns or intersections. Tricycles are meant for slow pace rides, not for racing.
- Use proper hand signals when turning or stopping.
- Recommended safety options include, but are not limited to, an approved helmet, audible warning device, front/rear lights and/or reflectors.
- Never ride the cycle if there are known repairs required.
- Do not exceed the recommended weight capacity of the cycle. (250 lbs., including the rider.)
- Always secure cargo with appropriate tie down straps. StarLite Tricycles are not intended or warrantied for commercial use.
- Wipe surface of cycle clean and dry when exposed to corrosive substances or environment.
- Operate cycle at slow speeds, particularly in high traffic areas.
- Operators of cycles should be in good physical condition. Ride at your own risk.
- Wear proper riding attire. Check shoelaces and pant legs prior to riding so they do not become engaged in the chain and sprocket.
- Ride only on smooth, paved surfaces. Do not use off road.
- Do not operate a tricycle on steep grades. They are designed for relatively level, paved surfaces only.
- Always replace worn parts with genuine Worksmen Cycle Repair Parts.
- Always keep both hands on the handlebars. Tricycles have a tendency to pull slightly to one side.

FAX THIS COMPLETED REGISTRATION FORM TO (718) 529-4803 OR MAIL TO THE ADDRESS ABOVE:

Name of Purchaser: _____ Company Name: _____
 Mailing Address: _____

 Tel: _____ Fax: _____
 Email: _____ Date of Purchase: _____
 Dealer Name: _____
 Address of Dealer: _____



Serial Number (located under crank housing): _____ Color: _____

NOTES: _____

SIGNATURE: _____ DATE: _____

Visit us online at www.worksmancycles.com or call us at (888) 3-WHEELER!

Specifications subject to change without notice. Not responsible for typographical errors.